

**NOTES:**  
 -ALL CONNECTIONS NPT UNLESS SPECIFIED  
 -ALL LENGTHS IN INCHES  
 -Not for construction  
 -CMS reserves the right to alter this design

-	-	-	-
-	-	-	-
-	-	-	-
<b>2</b>	<b>UPDATED INFO, DIMS</b>	02/10/19	<b>SD</b>
<b>1</b>	<b>ADDED 30" TANK INFO</b>	14/08/19	<b>SD</b>
REV. NO.:	DESCRIPTION:	DATE:	BY:

**ENGINEER:**

**PROJECT:**  
**BLOW DOWN TANKS**

**CLIENT/CUSTOMER:**  
 -

**PAGE DESCRIPTION:**  
**CMS STANDARD BLOWDOWN TANK MODELS**

**MODEL #:**  
 BDT-CS-24, BDT-CS-30, BDT-CS-36,  
 BDT-CS-42, BDT-CS-48

**WORK ORDER #:**  
 -

SCALE: 1:24    DWG SIZE: B    SHEET: 1 OF 1

DRAWN BY: KEENAN KELLY    DATE: 31/07/19  
 APPROVED BY: -    DATE: -

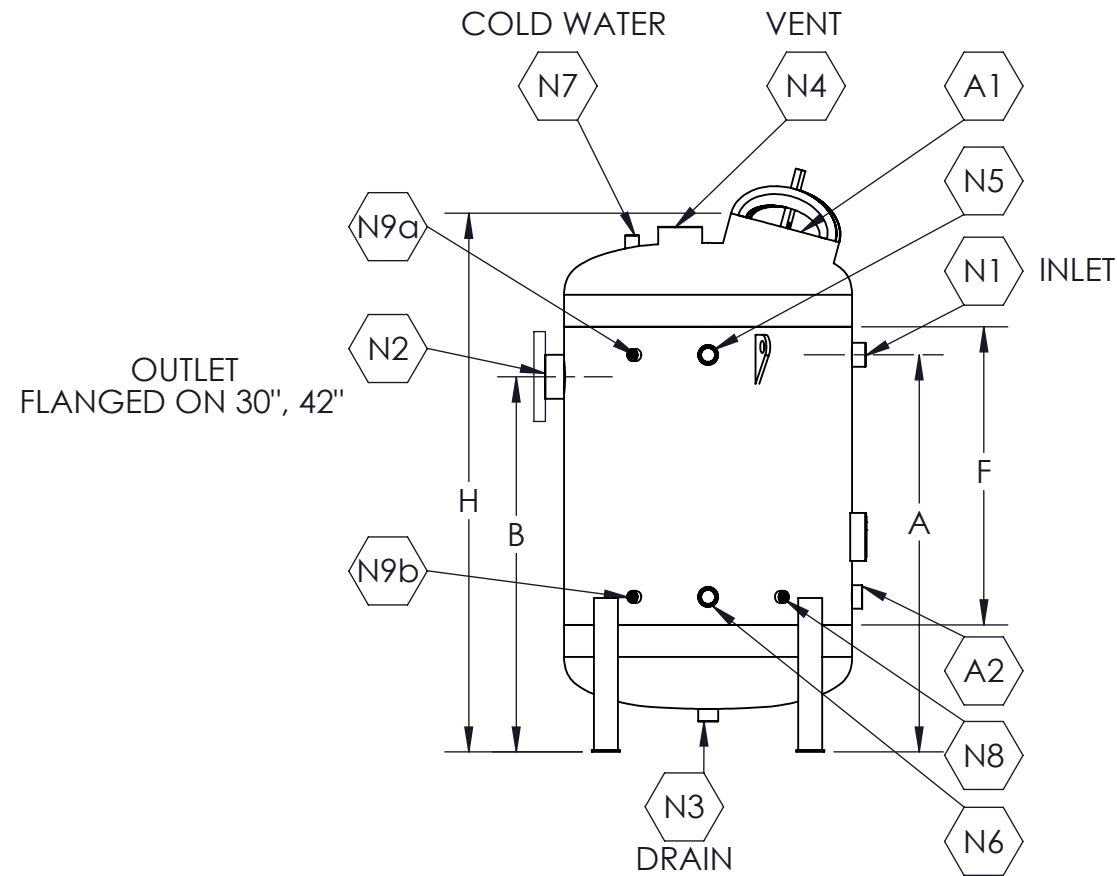
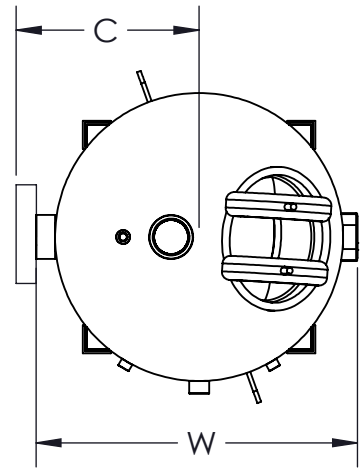
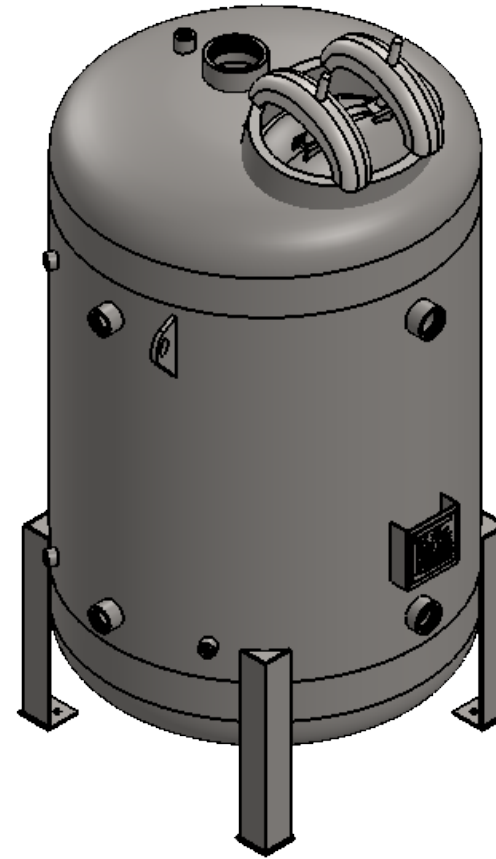


**CMS INCORP**

**ESTIMATED DRY WEIGHT:**  
 - LBS

**PROPRIETARY AND CONFIDENTIAL**  
 THIS DOCUMENT CONTAINS PRIVILEGED AND CONFIDENTIAL PROPERTY OF CUSTOM MANUFACTURED SYSTEMS INC. ANY DISCLOSURE OR REPRODUCTION IN PART OR AS A WHOLE WITHOUT THE WRITTEN PERMISSION OF CUSTOM MANUFACTURED SYSTEMS INC. IS PROHIBITED.

DRAWING #: 222-C001    REV #: 2



	N1	N2	N3	N4	N5	N6	N7	N8	N9 a,b	A1	A2	A	B	C	F	H	W	Internal Design pressure (at 450 F)	Volume (USGAL)	Dry Weight (LBS)
BDT-CS-24	1-1/2	3	1-1/2	3	1-1/2	1-1/2	3/4	1/2	1/2	6X4	2	38-1/2	35-3/4	N/A	27-1/2	51-3/8	27-13/16	100 psig	65	415
BDT-CS-30	2	4	1-1/2	4	1-1/2	1-1/2	3/4	1/2	1/2	12 X 16	N/A	41-1/4	44	21	31-1/2	56	38-1/16		118	571
BDT-CS-36	2	4	1-1/2	4	1-1/2	1-1/2	3/4	1/2	1/2	12 X 16	N/A	49-5/8	46-7/8	N/A	37-1/4	67-3/8	39-7/8		201	820
BDT-CS-42	2	4	1-1/2	4	1-1/2	1-1/2	3/4	1/2	1/2	12 X 16	N/A	55-1/2	51-1/2	27	42	71-1/2	49-3/4		319	1120
BDT-CS-48	2	4	1-1/2	4	1-1/2	1-1/2	3/4	1/2	1/2	12 X 16	N/A	63-11/16	57-11/16	N/A	49-5/16	79-1/16	51-9/16		466	1770

DRAWING #: 222-C001    REV #: 2