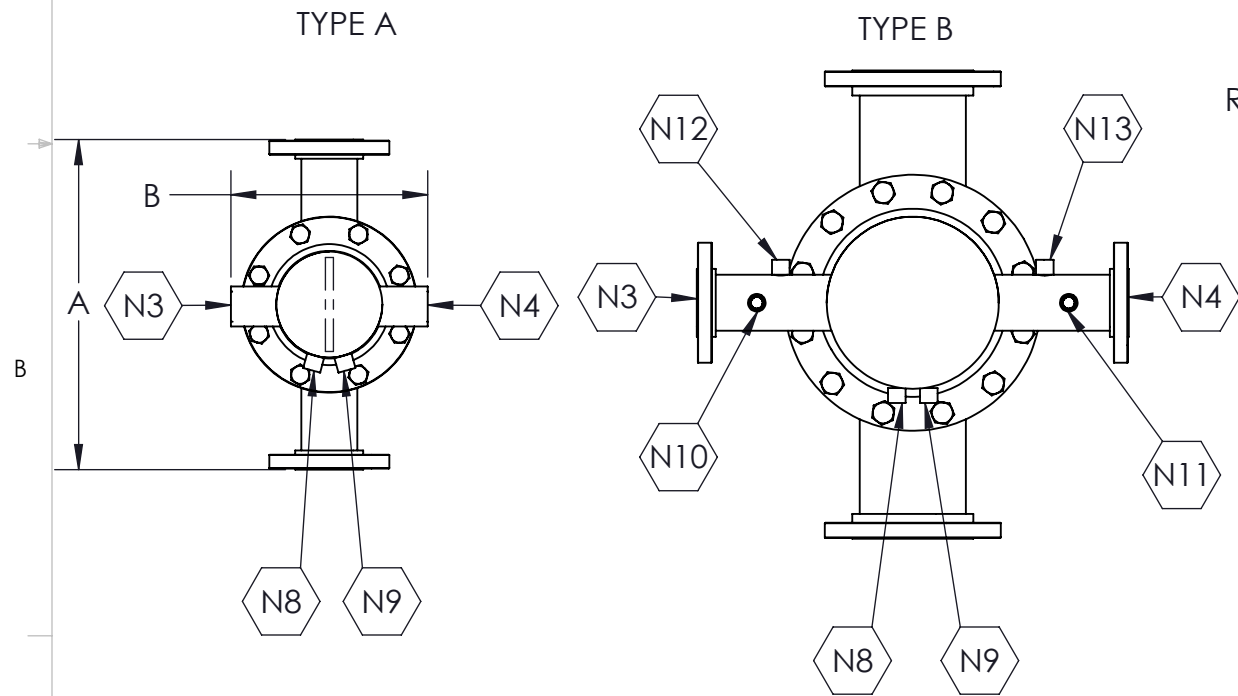
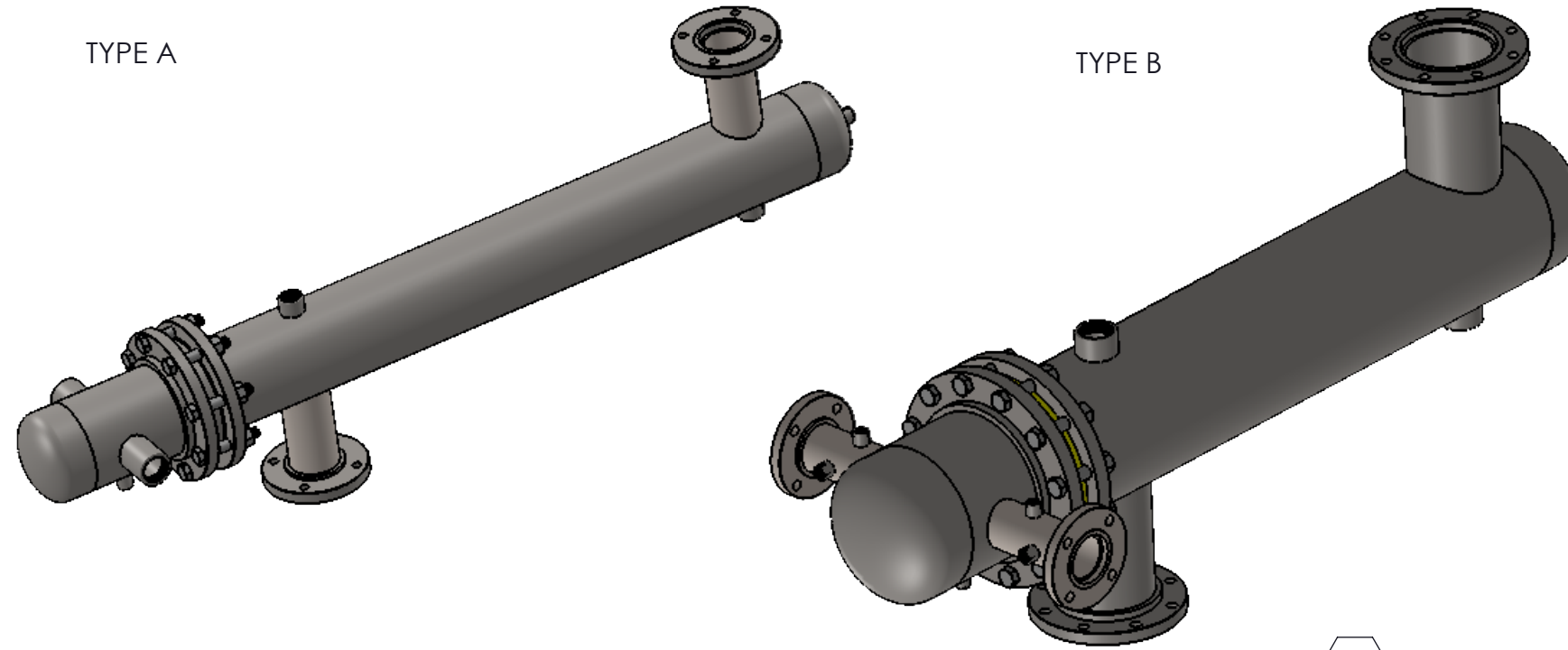
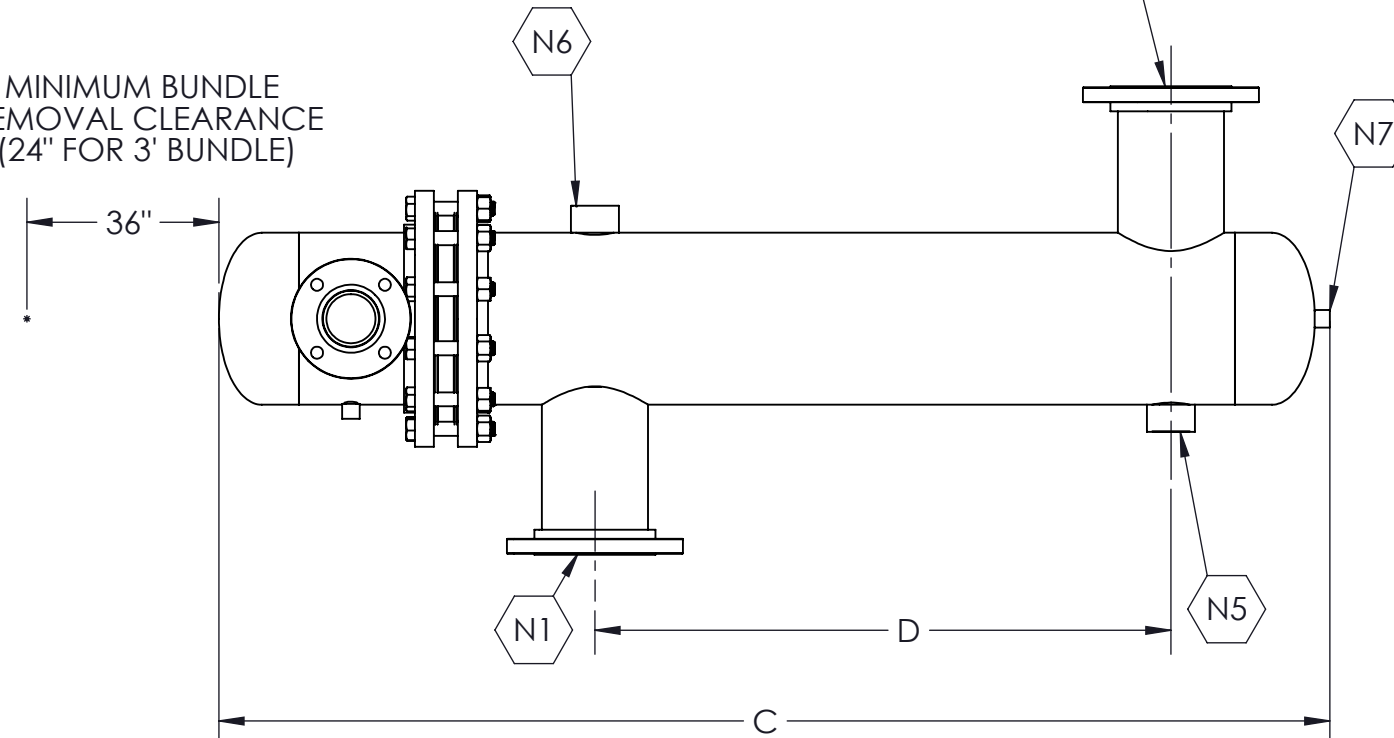


NOZZLE CONNECTION TABLE		
CONN.	TYPE	DESCRIPTION
N1	ANSI 150# - 304SS	VENT STEAM INLET
N2	ANSI 150# - 304SS	VENT STEAM OUTLET
N3	NPT (A)/ANSI #150 (B) - 304SS	COLD WATER INLET
N4	NPT (A)/ANSI #150 (B) - 304SS	HOT WATER OUTLET
N5	NPT - 304SS	CONDENSATE OUTLET
N6	NPT - 304SS	SPARE
N7	NPT - 304SS	PRESSURE GAUGE
N8	NPT - 304SS	SPARE
N9	NPT - 304SS	DRAIN
N10	NPT - 304SS	DRAIN
N11 (B ONLY)	NPT - 304SS	RTD
N12 (B ONLY)	NPT - 304SS	RTD
N13 (B ONLY)	NPT - 304SS	TEMP GAUGE
N14 (B ONLY)	NPT - 304SS	TEMP GAUGE
N15 (B ONLY)	NPT - 304SS	SPARE



MINIMUM BUNDLE
REMOVAL CLEARANCE
(24" FOR 3' BUNDLE)



DIMENSION & WEIGHT TABLE					
MODEL	A	B	C	D	WEIGHT
CMS-VC-06-SS	20-5/8"	12-5/16"	66-7/16"	36"	245
CMS-VC-08-SS	28"	24"	67-7/16"	36"	420
CMS-VC-10-SS	29-1/4"	27"	69-7/16"	36"	670

CONNECTION SIZES													
MODEL	N1	N2	N3	N4	N5	N6	N7	N8	N9	N10	N11	N12	N13
CMS-VC-06-SS	Ø3"	Ø3"	Ø1-1/2"	Ø1-1/2"	Ø1"	Ø1"	Ø1/2"	Ø1/2"	Ø1/2"	N/A	N/A	N/A	N/A
CMS-VC-08-SS	Ø4"	Ø4"	Ø2"	Ø2"	Ø1-1/2"	Ø1-1/2"	Ø1/2"	Ø1/2"	Ø1/2"	Ø1/2"	Ø1/2"	Ø1/2"	Ø1/2"
CMS-VC-10-SS	Ø6"	Ø6"	Ø3"	Ø3"	Ø2"	Ø2"	Ø1/2"	Ø1/2"	Ø1/2"	Ø1/2"	Ø1/2"	Ø1/2"	Ø1/2"

NOTES:

-	-	-	-
-	-	-	-
-	-	-	-
2	-N7, N15, +WEIGHTS	30/01/20	SD
1	detail correction	24/01/20	SD

REV. NO.: DESCRIPTION: DATE: BY:

ENGINEER:

PROJECT:
STANDARD CMS/CSSI PRODUCTS


CLIENT/CUSTOMER:
-

PAGE DESCRIPTION:
ALL CMS/CSSI VENT CONDENSER MODELS
MODEL #:
CMS-VC-06-304SS, CMS-VC-08-304SS, CMS-VC-10-304SS

WORK ORDER #:
-

SCALE: 1:12 DWG SIZE: B SHEET: 1 OF 1

DRAWN BY: STEVEN DONDRS DATE: 02/01/20
APPROVED BY: - DATE: -



CMS INCORP

ESTIMATED DRY WEIGHT:
- LBS

PROPRIETARY AND CONFIDENTIAL
THIS DOCUMENT CONTAINS PRIVILEGED AND CONFIDENTIAL PROPERTY OF CUSTOM MANUFACTURED SYSTEMS INC. ANY DISCLOSURE OR REPRODUCTION IN PART OR AS A WHOLE WITHOUT THE WRITTEN PERMISSION OF CUSTOM MANUFACTURED SYSTEMS INC. IS PROHIBITED.

DRAWING #: 145-C001 REV #: 02